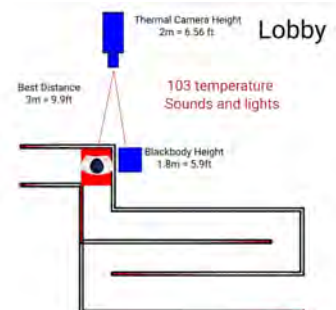
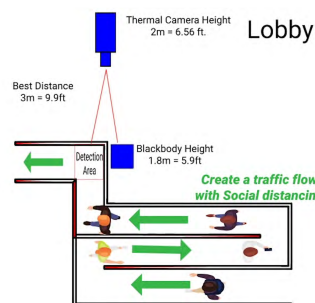
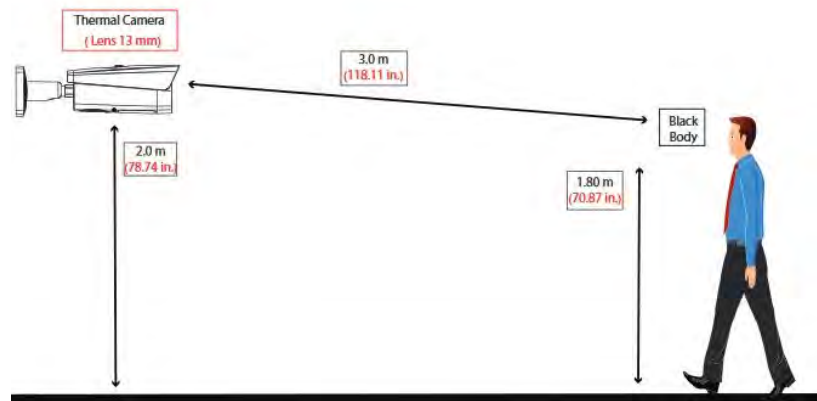
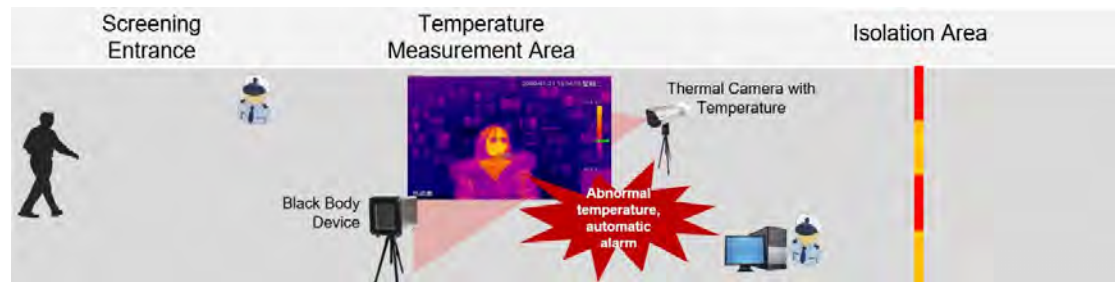




IN-THERMALSYS | Thermal Temperature Monitoring Solution

Unify your Security Solution

The Temperature Monitoring solution offers the latest hybrid thermal network camera that combines a Vanadium Oxide sensor with a 2 MP visible-light sensor. The solution also provides a blackbody calibration device that maintains a constant temperature as a reference point for the thermal camera. It is a non-contact, real-time, continuous and accurate Temperature measuring equipment. At the same time, a dedicated software system can be used to visually display the temperature information of the temperature measurement objects. It can be used for entry-exit health quarantine at customs, airports, stations, terminals, land ports, and epidemic prevention in key places such as schools, hospitals, office buildings Control scenes are widely used.

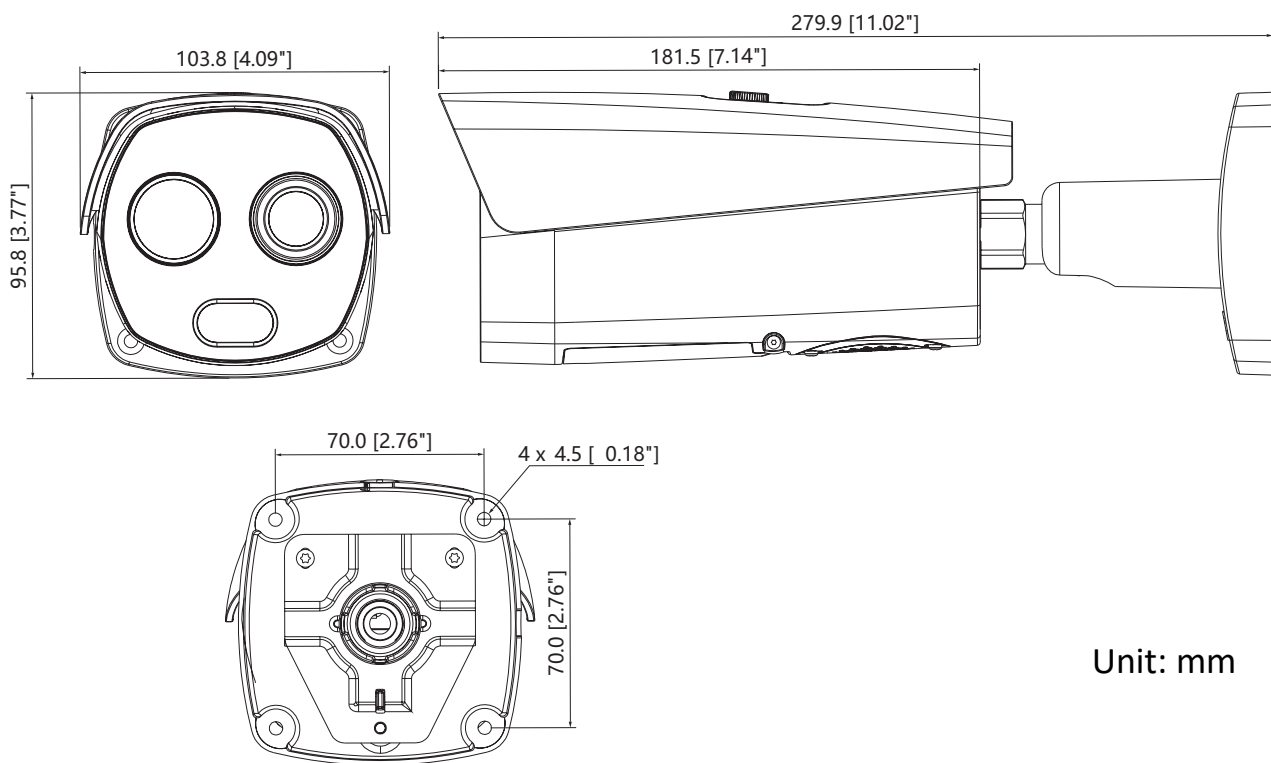


- Create a traffic flow that maintains Social Distancing,
- Alarm will be triggered at certain temperature

Technical Specifications

Thermal Camera	
Sensor type	Uncooled VOx Focal Plane Detector
Sensor pixels	300 × 400
Response band	8 ~ 14μm
Pixel pitch	17μm
Optical Transmission Calibration	Manual / Automatic
NETD (Noise Equivalent Temperature Difference)	<40mk (@ 25 ° C, F # = 1.0)
Lens focal length	13mm
Field of View	30° × 22.6 °
Image frame rate	30Hz
Palette	Hot white, black hot, iron red, sepia, etc.
Image and Video	
Thermal Image / Video / Visible Light Picture	.jpg (including full temperature data) / Full Temperature Infrared Video / .jpg Visible Light Picture
Visible light camera parameters	
Focal length	3.0mm
Sensor pixels	2 megapixel
Temperature measurement function	
Temperature measurement range	30°C - 45 °C
Temperature measurement deviation	± 0.3 ° C (with black body)
Temperature measurement area setting	Support global highest temperature, lowest temperature, average temperature tracking, point, line, rectangle, irregular area temperature measurement mode
Over temperature alarm function	Support human body temperature abnormal alarm function, area alarm text, temperature measurement box color can be set, alarm voice prompt
Intelligent features	Support automatic capture of moving face targets
Face area recognition	Support wearing a mask to identify the face area to avoid false alarms from non-face high temperature objects
General specifications	
Power input	DC12V
Power	12W (MAX)
Size (mm)	279.90mm x 103.80mm × 95.80mm
Weight	≤1.90Kg
Protection class	IP67
Working temperature and humidity	5° C ~ + 55° C, <90% RH
Other	
Item List	1*Bullet thermal camera, 1*Black body , 2*Tripod, Client Software
PC requirement	Windows 10 64 bit, I5, 8GB RAM, NVIDIA Discrete graphics 2G

Dimensions (mm)



Unit: mm